

SL/PL FIXTURE

INSTALLATION INSTRUCTIONS

THIS PRODUCT MUST BE INSTALLED IN ACCORDANCE WITH THE APPLICABLE INSTALLATION CODE BY A PERSON FAMILIAR WITH THE CONSTRUCTION AND OPERATION OF THE PRODUCT AND THE HAZARDS INVOLVED.

READ AND FOLLOW ANY SPECIFIC INSTRUCTIONS ON CARTON AND LUMINARE LABELS

INSTALLATION INSTRUCTIONS

- READ ALL CARTON INSTRUCTIONS AND ALL FIXTURE LABELS TO UNDERSTAND CORRECT INSTALLATION REQUIREMENTS.
- DISCONNECT POWER TO MAIN CIRCUITS BEFORE WIRING FIXTURE.
- LOOSEN (2) INSTALLED 5/16 DIA SCREWS (DO NOT COMPLETELY REMOVE) AND REMOVE LENS END CAP SUB-ASSEMBLY.
- REMOVE LAMPS IF INSTALLED. REMOVE FLANGE NUTS AND REFLECTOR.
- PROVIDE PROPER SUPPORT FOR FIXTURE AND SECURE FIXTURE TO MOUNTING SURFACE. USING FIXTURE AS A TEMPLATE DRILL MOUNTING HOLES AND SECURE WITH APPROPRIATE HARDWARE (NOT SUPPLIED) APPROPRIATE FOR FIXTURE WEIGHT AND FOR MOUNTING SURFACE. DO NOT MOUNT THE FIXTURE DIRECTLY TO THE ELECTRICAL JUNCTION BOX.
- CONNECT FIXTURE LEADS TO POWER SUPPLY USING CONNECTORS (NOT SUPPLIED) SUITABLE FOR THE GAGE AND NUMBER OF WIRES BEING USED, RATED FOR A MINIMUM OF 600 VOLTS. BLACK WIRES CONNECT TO THE SUPPLY CONDUCTORS, WHITE LEADS CONNECT TO THE NEUTRAL SUPPLY CONDUCTOR AND THE GROUNDING WIRE CONNECTS SUPPLIED GROUND STUD.
- WHEN REASSEMBLING FIXTURE CARE SHOULD BE TAKEN TO PROTECT WIRES FROM PINCHING OR DAMAGING THE WIRES.
- RE-INSTALL REFLECTOR AND INSTALL LAMPS PER FIXTURE LABELING.

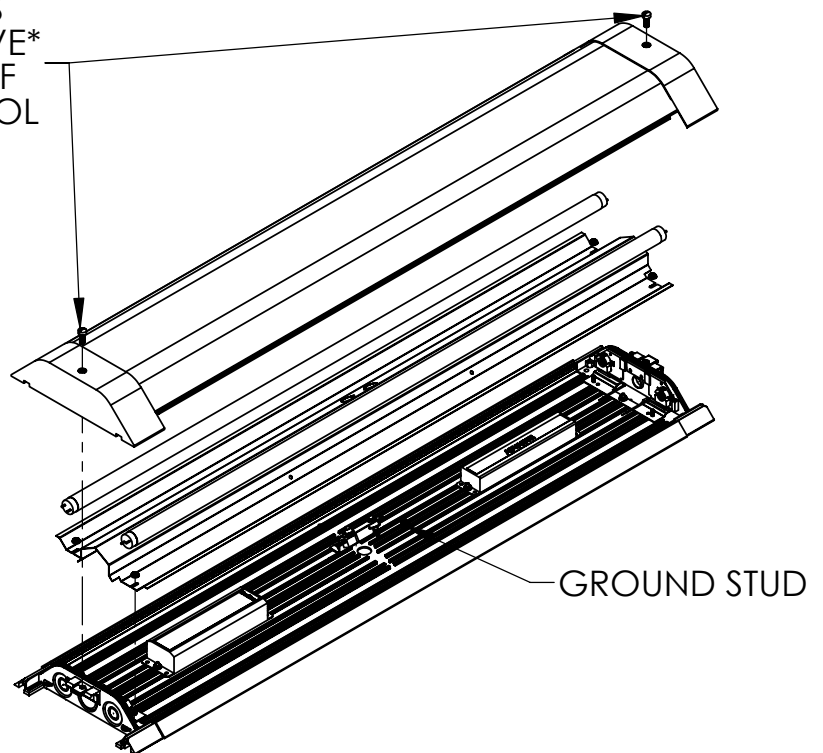
CLEANING & MAINTENANCE:

- CLEAN OUTER SURFACES ONLY WITH A MILD NON-ABRASIVE CLEANER.
- REPLACE LAMPS PER FIXTURE LABELING.

LOOSEN SCREWS
DO NOT REMOVE
IF TAMPER PROOF
USE SUPPLIED TOOL

NOTE

UNINSTALLED FIXTURES SHOULD BE STORED INDOORS IN A DRY ENVIRONMENT. CARE SHOULD ALSO BE TAKEN TO PROTECT UNINSTALLED FIXTURES FROM DAMAGE.



PROTECTOR / **SurviVR**
vandal-resistant lighting / Vandal-Resistant Lighting

2345 Vauxhall Road, Union, NJ 07083
Tel: 800-334-2212 Fax: 908-688-1388