

Type No. _____

Catalog No. _____

Job. Name _____

ProTector™ P Series

8-Foot Linear Fluorescent Vandal-Resistant Lighting Fixture

APPLICATIONS

- The ProTector Series is ideal for high-traffic areas requiring architectural ceiling-mounted vandal-resistant luminaires

CONSTRUCTION

- Housing is constructed of marine-grade extruded aluminum side rails and back rails
- Precision die-cast, marine-grade aluminum end caps
- Duraplex II polyester powder finish

ELECTRICAL

- Electronic high-frequency ballast with voltage sensing capability in T5, T5HO and T8
- Precision snap-tyte, spring-loaded sockets

OPTICS

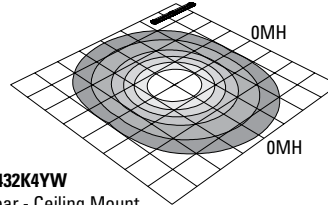
- Extruded, UV-stabilized polycarbonate lens available in prismatic opal or prismatic clear styles
- High-reflectance white pan reflector system

WARRANTY/LISTINGS

- "LifeLyte" limited lifetime warranty
- UL listed for wet locations



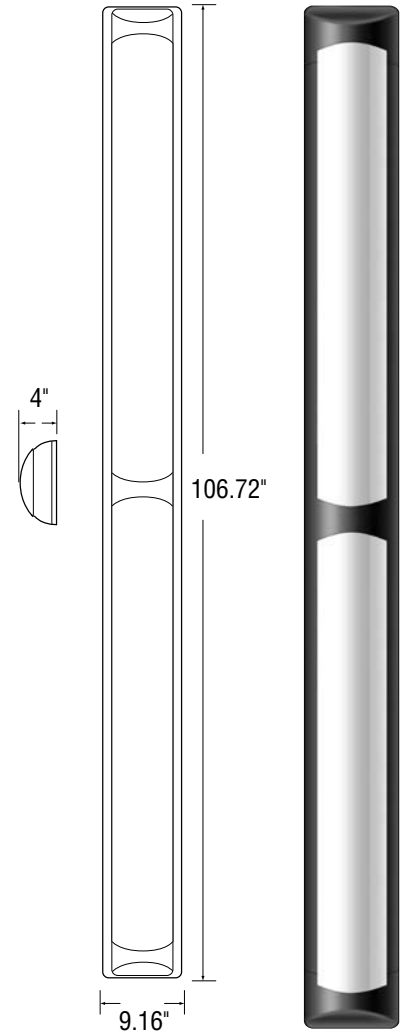
Mounting Height = 12 ft.
Gridscale = 12 ft. per increment



PAT0432K4YW
8' Linear - Ceiling Mount
4-32w T8 fluorescent

Horizontal Footcandles
Lumen/Lamp = 2,850
Light Loss Factor = 1.00

.1 FT-C	.2 FT-C	.5 FT-C	1 FT-C	2 FT-C	5 FT-C
---------	---------	---------	--------	--------	--------



Ordering Guide Example: PATC2541K4YBB6

P	AT	C	2	54	1	K4Y	B	B6

Series	Style	Lens	Lamp #	Wattage	Voltage	Ballast	Color*	Options
--------	-------	------	--------	---------	---------	---------	--------	---------

P=ProTector	AT=Aluminum Tandem	O=Opal Prismatic C=Clear Prismatic	2	28=28w T5 96" 32=32w T8 96" 54=54w T5HO 96"	1=120v 7=277v B=Univ	S2Y (T5HO) S4Y (T5HO) N2Y (T5) K2Y (T8) K4Y (T8)	B=Black W=White P=Bronze	2C=2 CIRCUIT F=Fused 3C=3 CIRCUIT RB=Row Beginning RM=Row Middle RE=Row End Battery Back-Up Consult Factory for Availability
-------------	--------------------	---------------------------------------	---	---	----------------------------	--	--------------------------------	---

* Custom colors available. Consult factory.

Ballast Description:

K2Y = T8, 2-lamp, generic
S2Y = T5 HO, 2-lamp, generic
N2Y = T5, 2-lamp, generic

K4Y = T8, 4-lamp, generic
S4Y = T5 HO, 4-lamp, generic

Row Mounting:

Factory engineered to speed row mounting applications. When ordering, make note that all row mounting options require 1 RB and 1 RE style to begin and end the run. 1 or multiple RM styles can be used. For shorter runs, an RB will mount to an RE style unit.



2345 Vauxhall Road - P.O. Box 129
Union, NJ 07083
800-334-2212

www.exceline.com - www.protectorseries.com

Exceline is a Philips group brand

Product information is subject to change without notice

