

Type No. _____

Catalog No. _____

Job. Name _____

ProTector™ P Series

2-Foot Linear Fluorescent Vandal-Resistant Lighting Fixture

APPLICATIONS

- The ProTector Series is ideal for high-traffic areas requiring architectural ceiling-mounted vandal-resistant luminaires

CONSTRUCTION

- Housing is constructed of marine-grade extruded aluminum side rails and back rails
- Precision die-cast, marine-grade aluminum end caps
- Duraplex II polyester powder finish

ELECTRICAL

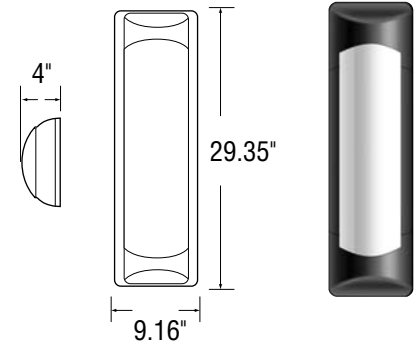
- Electronic high-frequency ballast with voltage sensing capability in T5, T5HO and T8 lamping
- Precision snap-tyte, spring-loaded sockets

OPTICS

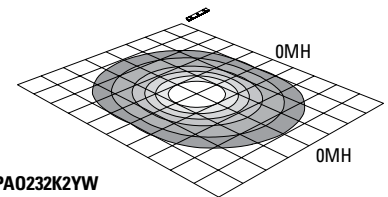
- Extruded, UV-stabilized polycarbonate lens available in prismatic opal or prismatic clear styles
- High-reflectance white pan reflector system

WARRANTY/LISTINGS

- "LifeLyte" limited lifetime warranty
- UL listed for wet locations



Mounting Height = 8 ft.
Gridscale = 8 ft. per increment



PA0232K2YW
4' Linear - Ceiling Mount
2-32w T8 fluorescent

Horizontal Footcandles
Lumen/Lamp = 2,850
Light Loss Factor = 1.00

.1 FT-C	.2 FT-C	.5 FT-C	1 FT-C	2 FT-C	5 FT-C
---------	---------	---------	--------	--------	--------

Ordering Guide Example: PAO2241S2YBF

P	A	O	2	24	1	S2Y	B	F

Series	Style	Lens	Lamp #	Wattage	Voltage	Ballast	Color*	Options
P=ProTector	A=Aluminum	O=Opal Prismatic C=Clear Prismatic	2	14=14w T5 24" 17=17w T8 24" 24=24w T5HO 24"	1=120v 7=277v B=Univ	S2Y (T5 HO) N2Y (T5) K2Y (T8)	B=Black W=White P=Bronze	2C=2 CIRCUIT F=Fused 3C=3 CIRCUIT RB=Row Beginning RM=Row Middle RE=Row End Battery Back-Up Consult Factory for Availability

* Custom colors available. Consult factory.

Ballast Description:

S2Y = T5 HO, 2-lamp, generic
N2Y = T5, 2-lamp, generic
K2Y = T8, 2-lamp, generic

Row Mounting:

Factory engineered to speed row mounting applications. When ordering, make note that all row mounting options require 1 RB and 1 RE style to begin and end the run. 1 or multiple RM styles can be used. For shorter runs, an RB will mount to an RE style unit.



2345 Vauxhall Road - P.O. Box 129
Union, NJ 07083
800-334-2212
www.exceline.com - www.protectorseries.com

Exceline is a Philips group brand

Product information is subject to change without notice

