

Type No. _____

Catalog No. _____

Job. Name _____

ProTector™ Series

16" Shallow Round Ceiling-Mounted Vandal-Resistant Lighting Fixture

APPLICATIONS

- The ProTector Series is ideal for high-traffic areas requiring architectural ceiling-mounted vandal-resistant luminaires.

CONSTRUCTION

- Precision die-cast 360 alloy marine-grade aluminum back plate with cast-in mounting knock-outs.
- Finished in Duraplex II polyester powder coat.
- One-piece injection-molded and UV-stabilized polycarbonate face with snap-in, interlocking lens provision.
- Color molded into the polycarbonate face for durable, scratch-resistant finish.
- Locking recessed set screw at the 1:00 o'clock position is unobtrusive, securely locking the face and lens to the cast housing.

ELECTRICAL

- Die-cut neoprene rubber gasket provides added protection against elements between back casting and mounting surface.
- Silicone rubber gasket seals optics/face styles to outer rim of back casting. Also acts as a shock absorber providing additional support against breakage.
- HID units equipped with magnetic ballasts.
- Compact fluorescent units equipped with an electronic HPF ballast with 120-277 voltage sensing capability.

OPTICS

- Lens is a one-piece, injection-molded, UV-stabilized polycarbonate.
- Internal prisms re-direct the light minimizing hot spots and maximizing uniformity.
- Available in either clear prismatic or opal prismatic polycarbonate.
- Twist and seal construction locks the lens and face onto the back casting.
- Extruded silicone gasket provides a tight weather-resistant seal. The patent-pending Supplemental Impact System (SIS) provides a cushion that supports/seals the lens against the elements and also acts as a shock absorber to help reduce damage from impact to the unit face.
- HID units equipped with a precision die-form segmented reflector.
- Compact fluorescent units equipped with a high-reflectance white pan reflector system.

MOUNTING

- Ceiling units have a symmetric Type V distribution.

WARRANTY/LISTINGS

- "LifeLyte" limited lifetime warranty.
- UL listed for wet locations.



Ordering Guide Example: PR6SC50LXFB8GCB

| | | | | | | | | | | | | |
|---|---|---|---|---|----|----|---|---|---|---|---|---|
| P | R | 6 | S | C | 50 | LX | F | B | 8 | G | C | B |
| | | | | | | | | | | | | |

| Series | Shape | Size | Depth | Mount | Wattage | Source | Options | Base Color | Voltage | Face Style | Lens | Face Color |
|-------------|---------|-------|-----------|-----------|--|---|---|--------------------------------|--------------------|------------------------|---|--------------------------------|
| P=ProTector | R=Round | 6=16" | S=Shallow | C=Ceiling | 50=50 70=70 126=1x26 132=1x32 142=1x42 226=2x26 232=2x32 242=2x42 326=3x26 | LX=HPS PM=PS MH NX=HPS (NPF) ¹ HF=Compact Fluorescent (HPF) | L=Lamped E=Emergency (1) 42w (1 or 2) 26w (1) 32w (2) 18w U=UV Shield ² Q=Quartz Aux F=Fusing T=Thru Wiring ³ P=Photo Control ³ | B=Black W=White P=Bronze | 1=120 8=120-277 | B=Open Bezel G=Grid | O=Opal C=Clear A=Acrylic ^{4,5} | B=Black W=White P=Bronze |

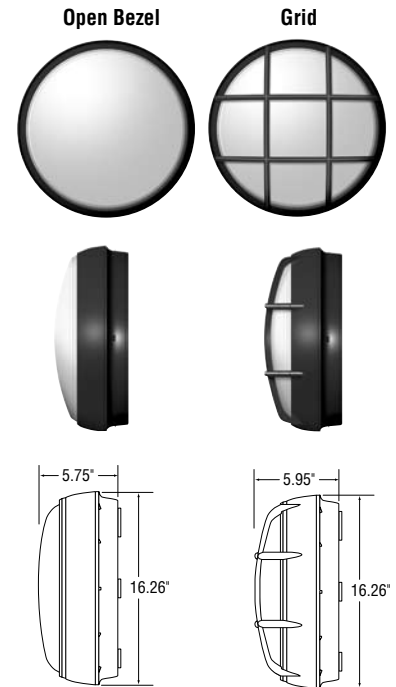


2345 Vauxhall Road - P.O. Box 129
Union, NJ 07083
800-334-2212

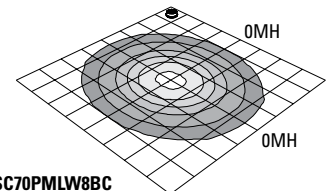
www.exceline.com - www.protectorseries.com

ExcelLine is a Philips group brand

Product information is subject to change without notice



Mounting Height = 10 ft.
Gridscale = 10 ft. per increment



PR6SC70PMLW8BC
16" Shallow Open Bezel
70w metal halide

Horizontal Footcandles
Lumen/Lamp = 4,750
Light Loss Factor = 1.00

| | | | | | |
|---------|---------|---------|--------|--------|--------|
| .1 FT-C | .2 FT-C | .5 FT-C | 1 FT-C | 2 FT-C | 5 FT-C |
|---------|---------|---------|--------|--------|--------|