

Type No. _____

Catalog No. _____

Job. Name _____

ProTector™ Series

16" Deep Round Ceiling-Mounted Vandal-Resistant Lighting Fixture

APPLICATIONS

- The ProTector Series is ideal for high-traffic areas requiring architectural ceiling-mounted vandal-resistant luminaires.

CONSTRUCTION

- Precision die-cast 360 alloy marine-grade aluminum back plate with cast-in mounting knock-outs.
- Finished in Duraplex II polyester powder coat.
- One-piece injection-molded and UV-stabilized polycarbonate face with snap-in, interlocking lens provision.
- Color molded into the polycarbonate face for durable, scratch-resistant finish.
- Locking recessed set screw at the 1:00 o'clock position is unobtrusive, securely locking the face and lens to the cast housing.

ELECTRICAL

- Die-cut neoprene rubber gasket provides added protection against elements between back casting and mounting surface.
- Silicone rubber gasket seals optics/face styles to outer rim of back casting. Also acts as a shock absorber providing additional support against breakage.
- HID units equipped with magnetic ballasts.
- Compact fluorescent units equipped with an electronic HPF ballast with 120-277 voltage sensing capability.

OPTICS

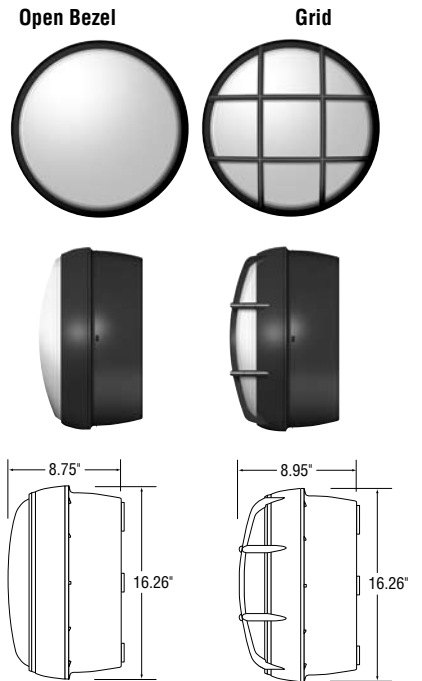
- Lens is a one-piece, injection-molded, UV-stabilized polycarbonate.
- Internal prisms re-direct the light minimizing hot spots and maximizing uniformity.
- Available in either clear prismatic or opal prismatic polycarbonate.
- Twist and seal construction locks the lens and face onto the back casting.
- Extruded silicone gasket provides a tight weather-resistant seal. The patent-pending Supplemental Impact System (SIS) provides a cushion that supports/seals the lens against the elements and also acts as a shock absorber to help reduce damage from impact to the unit face.
- HID units equipped with a precision die-form segmented reflector.
- Compact fluorescent units equipped with a high-reflectance white pan reflector system.

MOUNTING

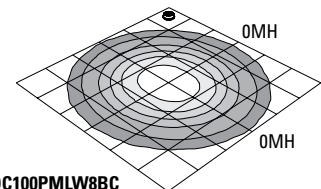
- Ceiling units have a symmetric Type V distribution.

WARRANTY/LISTINGS

- "LifeLyte" limited lifetime warranty.
- UL listed for wet locations.



Mounting Height = 12 ft.
Gridscale = 12 ft. per increment



PR6DC100PMLW8BC
16" Deep Open Bezel
100w metal halide

Horizontal Footcandles
Lumen/Lamp = 7,600
Light Loss Factor = 1.00

.1 FT-C	.2 FT-C	.5 FT-C	1 FT-C	2 FT-C	5 FT-C
---------	---------	---------	--------	--------	--------

Ordering Guide Example: PR6DC70LXFB8GCB

P	R	6	D	C	70	LX	F	B	8	G	C	B

Series	Shape	Size	Depth	Mount	Wattage	Source	Options	Base Color	Voltage	Face Style	Lens	Face Color
P= ProTector	R= Round	6= 16"	D= Deep	C= Ceiling	70=70 100=100 150=150 ^{1,2} 226=2x26 232=2x32 242=2x42 326=3x26 332=3x32 342=3x42	LX=HPS PM=PS MH NX=HPS(NPF) ³ HF=Compact Fluorescent (HPF)	L=Lamped E=Emergency (1 or 2) 26w (1) 32w (1) 42w (2) 18w U=UV Shield ⁴ Q=Quartz Aux F=Fusing T=Thru Wiring ² P=Photo Control ²	B=Black W=White P=Bronze	1=120 5=480 8=120-277	B=Open Bezel G=Grid	O=Opal C=Clear A=Acrylic ^{5,6}	B=Black W=White P=Bronze

¹ 150 watt models are not available with a PM lamp source.
² Unavailable with trim rings.
³ 120V only.
⁴ For MH lamps only.
⁵ Available in reduced wattages (100w max. MH/HPS). Consult factory.
⁶ Not recommended for use in high-abuse areas.



2345 Vauxhall Road - P.O. Box 129
Union, NJ 07083
800-334-2212

www.exceline.com - www.protectorseries.com

ExcelLine is a Philips group brand

Product information is subject to change without notice

